

# BOXTM Series



## Direct mounting type

- ◆ Standard
- ◆ Popular



## IEC/DIN 35mm rail mounting type



### Specifications

Rated voltage	AC,DC 600V
Rated current	15A (BOXTM-401: 20A)
Insulation resistance	100MΩ or more (DC500V)
Withstand voltage	AC 2500V / min
Applicable wire	2.0mm <sup>2</sup> / MAX
Tightening torque	Terminal Screw 0.8~1.4N·m
	Lid M3 0.5~0.65N·m
	Lid M4 1.0~1.2N·m
Protection Rating	IP67
Ambient temperature	-25°C~+100°C (No freezing and condensations)
Relative humidity	45%~85%

### Materials

BOX main body	PBT (UL94V-0) 5Y7/1
Lid	PBT (UL94V-0) 5Y7/1
Gasket	NBR
Lid fixing screw	SUS
Coil spring	-
Nut	Brass (Ni plating)
Hinge	-
Terminal block main body	PBT (UL94V-0)
Terminal Screw	SWCH (Zn+trivalent chromate-plating) M3.5×8L KTW: M3.5×6.7L
Conductive plate	Brass (Ni plating)

### Chemical resistance

Liquid solution		Liquid solution	
Water	○	Ethylene glycol	○
Mineral oil	○	Ester	△
Heating oil	○	Halogenated hydrocarbon	△
Gasoline	△	Phenol	×
Anti-corrosion oil	○	Cresol	×
Vegetal oil	○	Liquid ammonia	×
Acetone	△	Oxygenated water	○
Benzene	△	Weak acid	○
Carbon tetrachloride	△	Strong acid	△
Alcohol	○	Weak alkali	△
Acetic Ether	△	Strong alkali	×

○...High resistance, and non-degrade  
 △...change the weight and dimension, but usable for a short time  
 ○...little change the weight, and usable according to condition  
 ×...It is difficult to use because of swelling and melting

## BOXTM Series

### Number of Poles and Holes



#### Direct mounting type (Standard and Populer series)

Part No.	No. of T/B Poles	Direct mounting	IEC/DIN 35mm Rail mounting	No. of Holes	Hole Size	Page
BOXTM-401	4	○	N/A	2	CTG16	P.25
BOXTM-801	8	○	N/A	3	CTG22	P.26
BOXTM-802	8	○	N/A	3	CTG16	P.26
BOXTM-1001	10	○	N/A	0	-	P.28
BOXTM-1002	10	○	N/A	2	φ21	P.28
BOXTM-1003	10	○	N/A	2	φ21	P.29
BOXTM-2000	Not Terminal Block	○	N/A	0	-	P.30
BOXTM-2001	20	○	N/A	0	-	P.30
BOXTM-2002	20	○	N/A	6	4-φ21 / 2-φ27	P.31
BOXTM-2003	Not Terminal Block	○	N/A	6	4-φ21 / 2-φ27	P.31

#### IEC/DIN 35mm rail mounting type

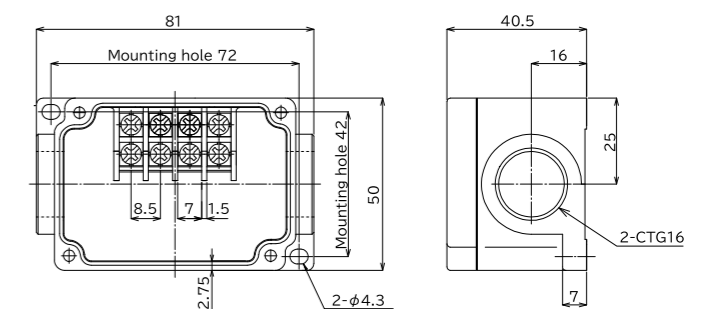
Part No.	No. of T/B Poles	Direct mounting	IEC/DIN 35mm Rail mounting	No. of Holes	Hole Size	Page
BOXTM-60L	Not Terminal Block	○	○	0	-	P.33
BOXTM-60H	Not Terminal Block	○	○	0	-	P.33
BOXTM-61L	6	○	○	0	-	P.33
BOXTM-61H	6	○	○	0	-	P.33
BOXTM-110L	Not Terminal Block	○	○	0	-	P.34
BOXTM-110H	Not Terminal Block	○	○	0	-	P.34
BOXTM-111L	11	○	○	0	-	P.34
BOXTM-111H	11	○	○	0	-	P.34
BOXTM-220L	Not Terminal Block	○	○	0	-	P.35
BOXTM-220H	Not Terminal Block	○	○	0	-	P.35
BOXTM-221L	22	○	○	0	-	P.35
BOXTM-221H	22	○	○	0	-	P.35

## BOXTM-401

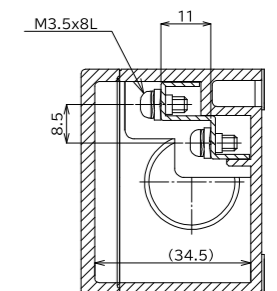
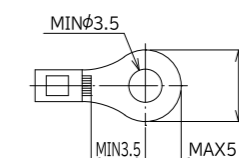
600V / 20A / 2mm<sup>2</sup> [Screw size M3.5] / 4poles



### Dimension



### Applicable crimp terminal



Weight: 97g  
 Inlet size: CTG16×2  
 Sales lot: 1pc

### Applicable Short bar

BB8.5-2, 4 (see P.20)

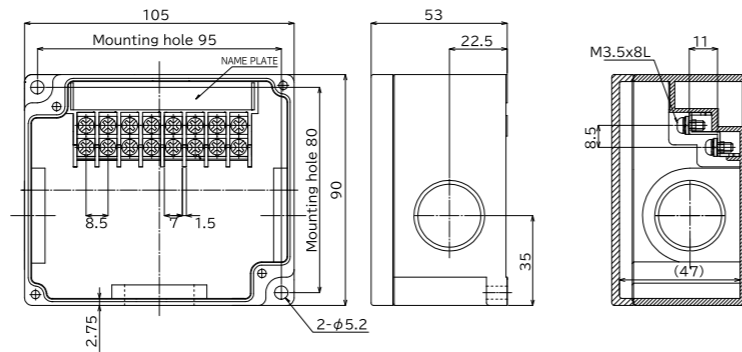
# BOXTM-801

600V / 15A / 2mm<sup>2</sup> [Screw size M3.5] / 8poles

**IP67**



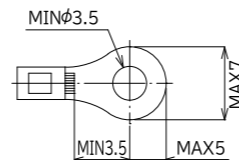
■ Dimension



Weight: 234g  
Inlet size: CTG22 × 2  
Sales lot: 1pc

■ Applicable Short bar  
BB8.5-2, 4, 8 (see P.20)

■ Applicable crimp terminal



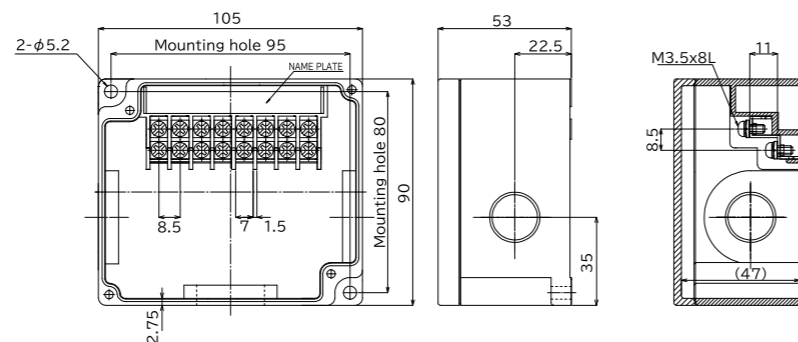
# BOXTM-802

600V / 15A / 2mm<sup>2</sup> [Screw size M3.5] / 8poles

**IP67**



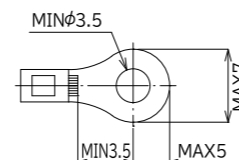
■ Dimension



Weight: 244g  
Inlet size: CTG16 × 3  
Sales lot: 1pc

■ Applicable Short bar  
BB8.5-2, 4, 8 (see P.20)

■ Applicable crimp terminal



# Accessories

**IP67**

Water resistant cap

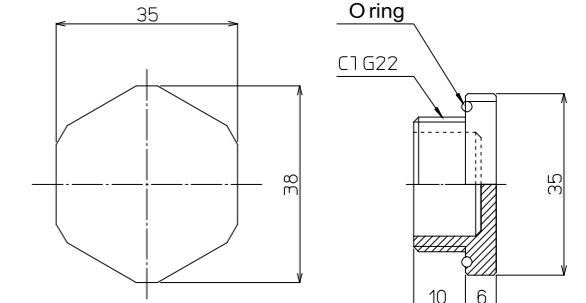
## BTM-22B

For BOXTM-801  
IP67

Material : PBT  
Sales lot : 10pcs  
Weight : 10.4g/pc



■ Dimension



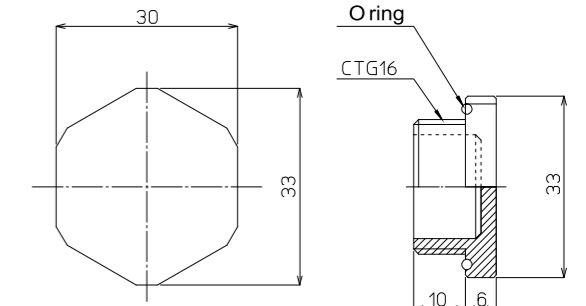
## BTM-16B

For BOXTM-802  
IP67

Material : PBT  
Sales lot : 10pcs  
Weight : 7.7g/pc



■ Dimension



Conversion adaptor

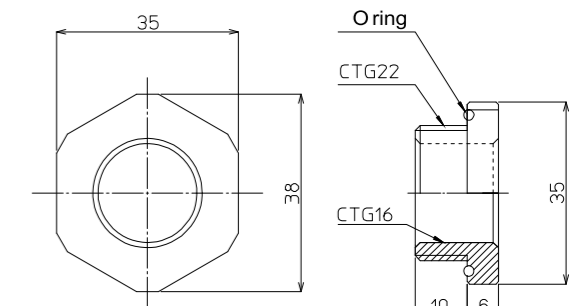
## BTM-1622

For BOXTM-802  
CTG22 to CTG16

Material : PBT  
Sales lot : 10pcs  
Weight : 8.7g/pc



■ Dimension



# BOXTM-1001

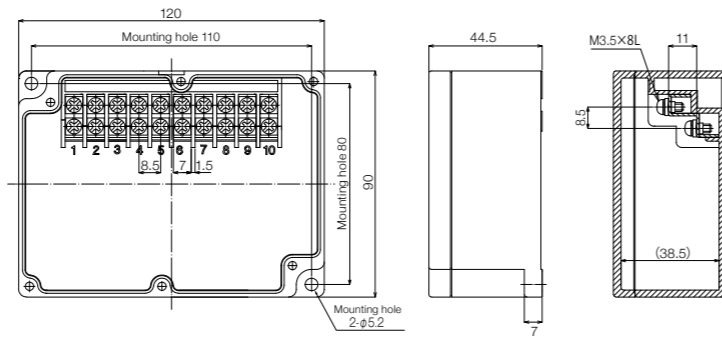
600V / 15A / 2mm<sup>2</sup> [Screw size M3.5] / 10poles

IP67

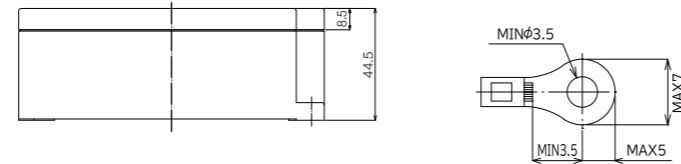


Weight: 250g  
Sales lot: 1pc

■ Dimension



■ Applicable crimp terminal



■ Applicable Short bar

BB8.5-2, 4, 8, 10 (see P.20)

# BOXTM-1002

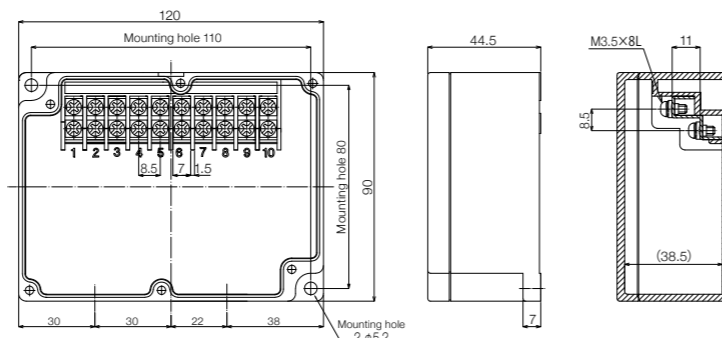
600V / 15A / 2mm<sup>2</sup> [Screw size M3.5] / 10poles

IP67

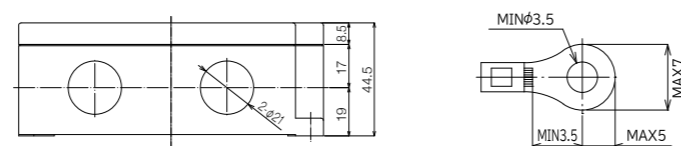


Weight: 249g  
Sales lot: 1pc

■ Dimension



■ Applicable crimp terminal



■ Applicable Short bar

BB8.5-2, 4, 8, 10 (see P.20)

# BOXTM-1003

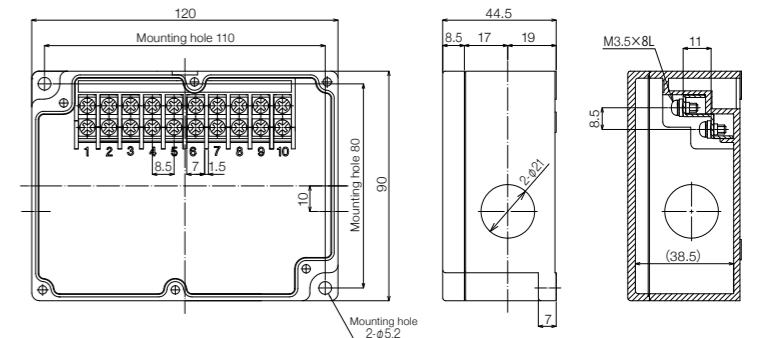
600V / 15A / 2mm<sup>2</sup> [Screw size M3.5] / 10poles

IP67

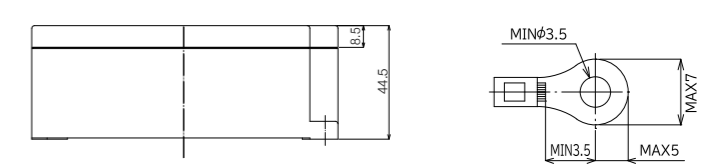


Weight: 248g  
Sales lot: 1pc

■ Dimension



■ Applicable crimp terminal



■ Applicable Short bar

BB8.5-2, 4, 8, 10 (see P.20)

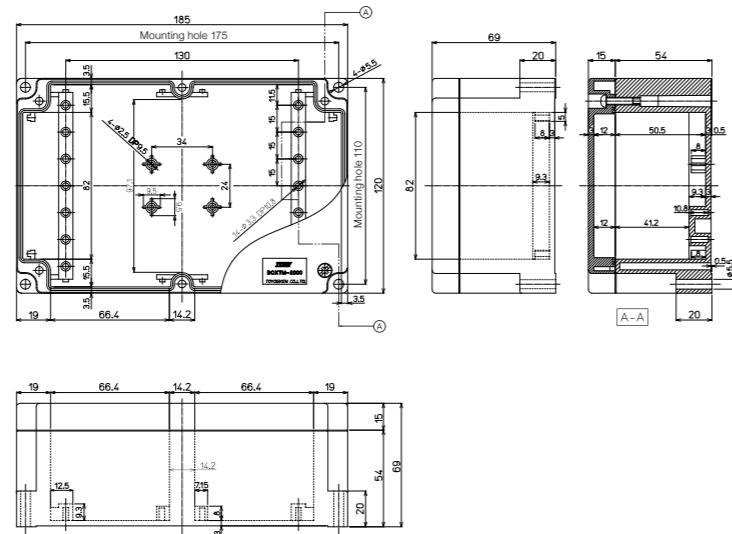
# BOXTM-2000

IP67



Weight: 494g  
Sales lot: 1pc

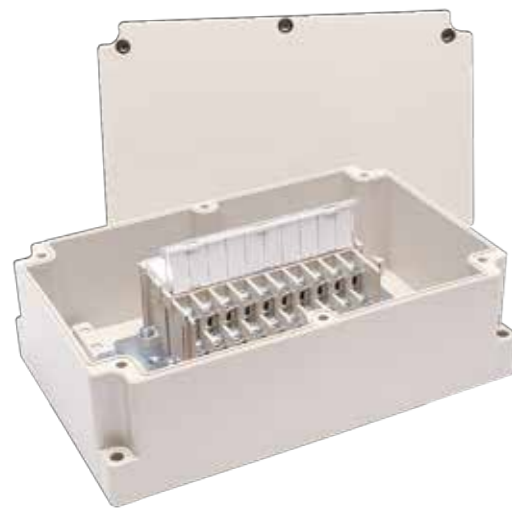
Dimension



# BOXTM-2001

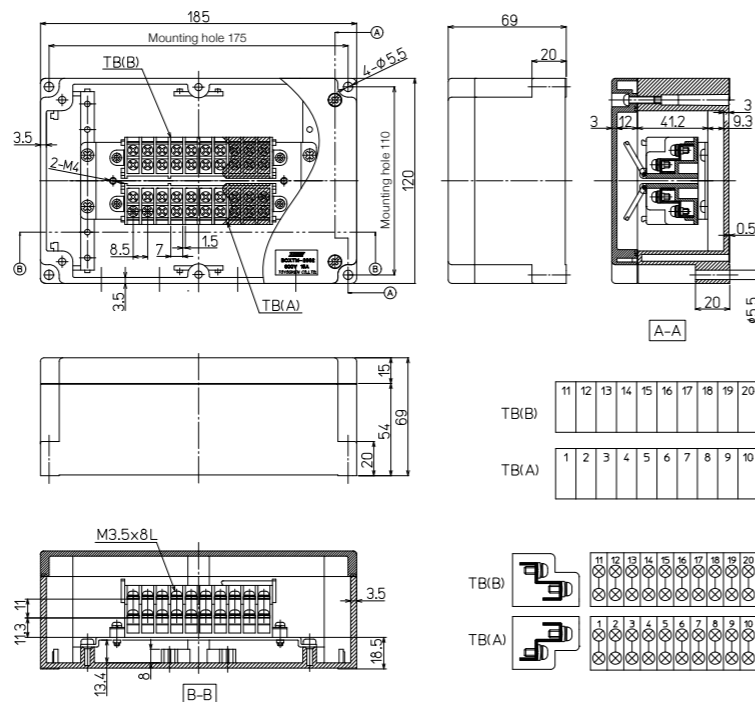
600V / 15A / 2mm<sup>2</sup> [Screw size M3.5] / 20poles

IP67



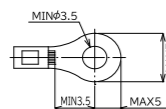
Weight: 714g  
Sales lot: 1pc

Dimension



Applicable Short bar  
BB8.5-2, 4, 8, 10 (see P.20)

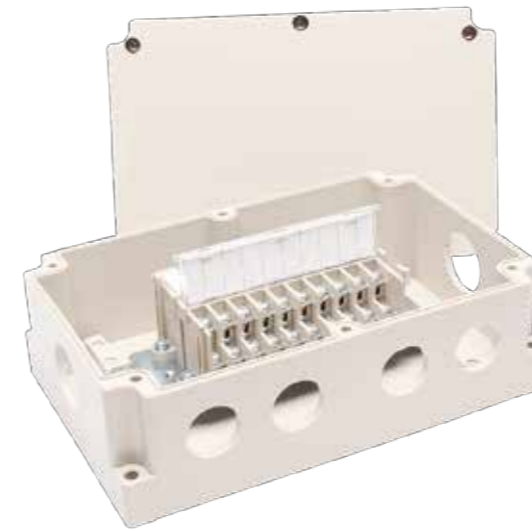
Applicable crimp terminal



# BOXTM-2002

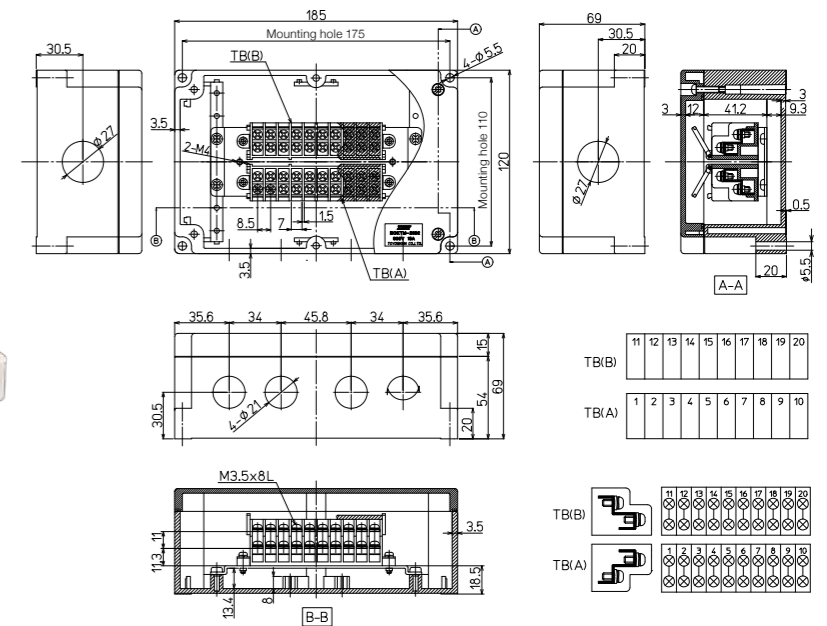
600V / 15A / 2mm<sup>2</sup> [Screw size M3.5] / 20poles

IP67



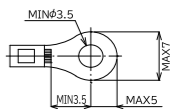
Weight: 697g  
Sales lot: 1pc

Dimension



Applicable Short bar  
BB8.5-2, 4, 8, 10 (see P.20)

Applicable crimp terminal



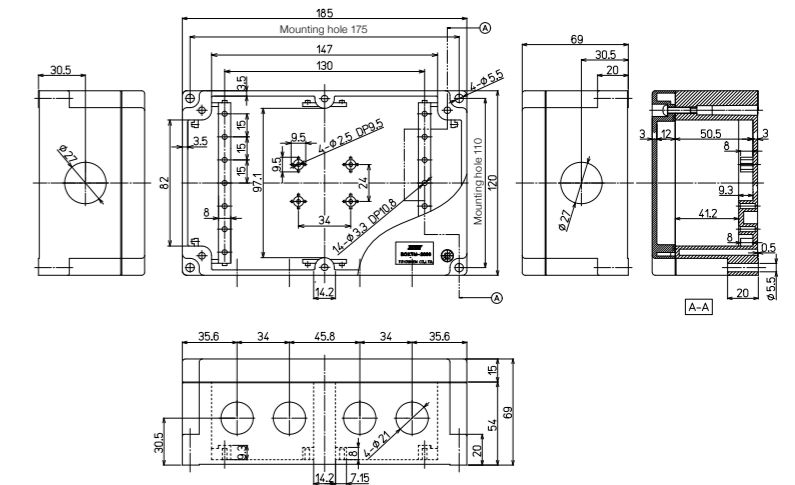
# BOXTM-2003

IP67



Weight: 476g  
Sales lot: 1pc

Dimension



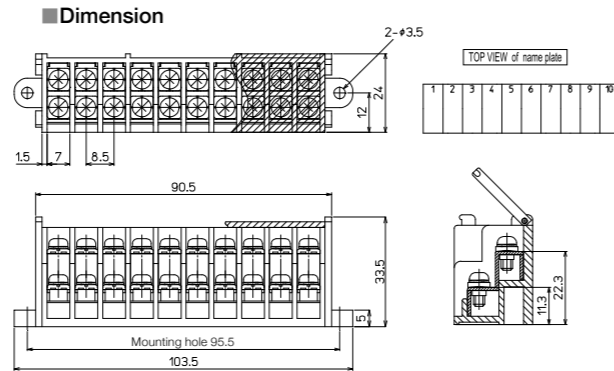
# Accessories

Terminal block for optional installation

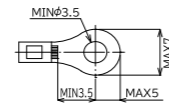
## CNT15-10 600V / 15A / 2mm<sup>2</sup> [Screw size M3.5] / 10poles



Weight: 77g  
Sales lot: 1pc



■ Applicable crimp terminal



■ Applicable Short bar

BB8.5-2, 4, 8, 10 (see P.20)

■ Specifications

Rated voltage	AC,DC 600V
Rated current	15A
Insulation resistance	100MΩ or more (DC500V)
Withstand voltage	AC 2500V / min
Applicable wire	2.0mm <sup>2</sup> / MAX
Tightening torque	1.4N·m
Ambient temperature	-25°C ~ +100°C (No freezing and condensations)
Relative humidity	45% ~ 85%

■ Materials

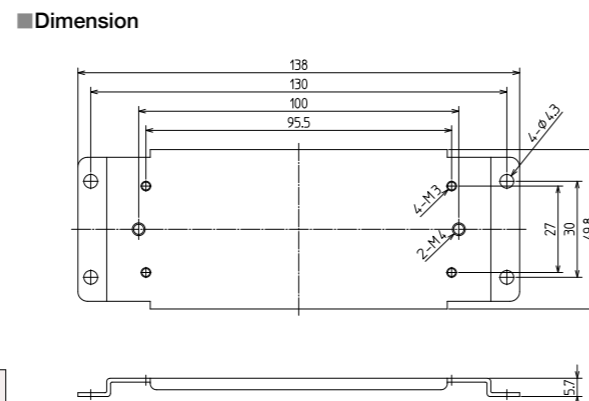
Terminal block main body	PBT (UL94V-0)
Conductive plate	Brass (Ni plating)
Terminal Screw	SWCH (Zn+trivalent chromate-plating) M3.5x8L
Cover	PC (UL94V-2)
Name plate	Paper

## Installation plate set

### BOXTM20-05 \*For BOXTM-2000 and BOXTM-2003



Weight: 74g  
Sales lot: 1set



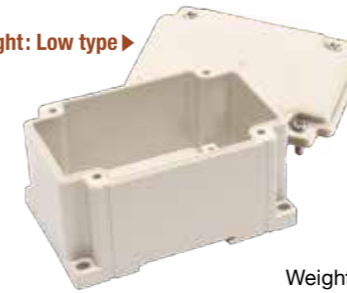
■ Set contents

Description	Material	Qty.
Installation plate for terminal (t=12)	SPCC (Zinc plating)	1
Self-tapping screw (Nonimal Diameter 4x10L)	SWCH (Zinc plating)	4
Screw (M3x10L)	SWCH (Zinc plating)	4

## BOXTM-60L

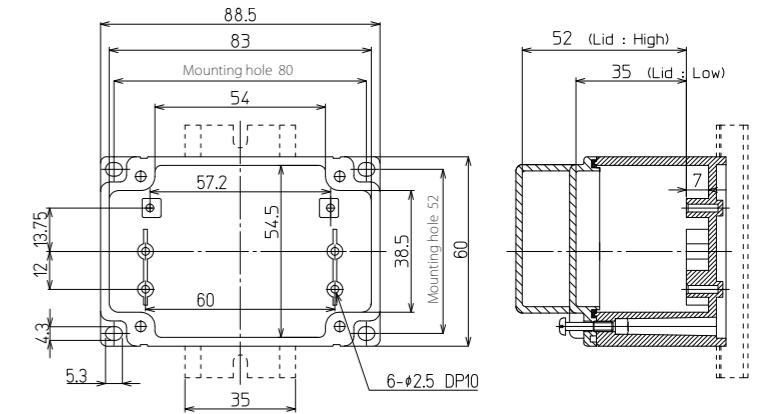
IP67

Lid height: Low type ▶



Weight: 103g  
Sales lot: 1pc

■ Dimension

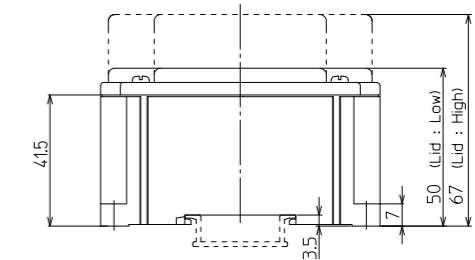


## BOXTM-60H

Lid height: High type ▶



Weight: 115g  
Sales lot: 1pc

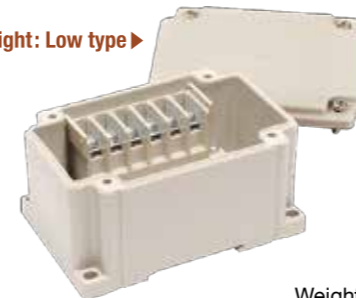


## BOXTM-61L

IP67

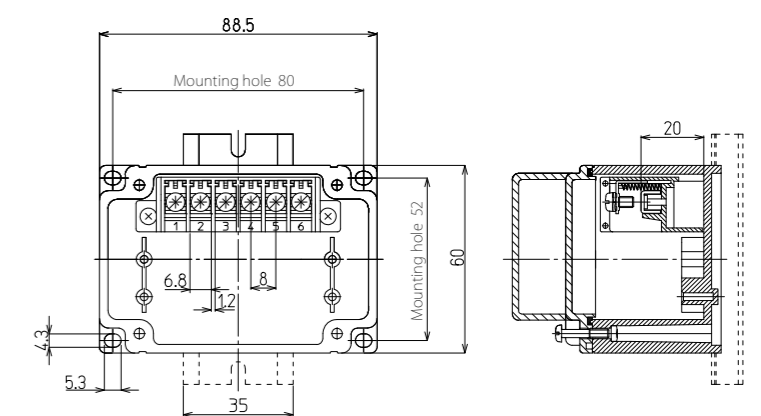
600V / 15A / 2mm<sup>2</sup> [Screw size M3.5] / 6poles

Lid height: Low type ▶



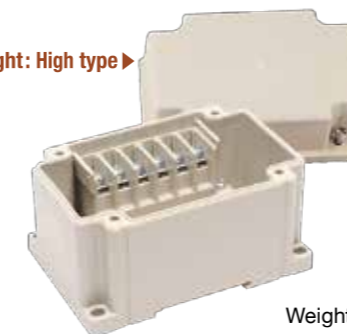
Weight: 130g  
Sales lot: 1pc

■ Dimension



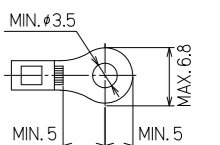
## BOXTM-61H

Lid height: High type ▶



Weight: 141g  
Sales lot: 1pc

■ Applicable crimp terminal



■ Applicable Short bar

BB8A-2, 4, 6 (see P.36)

# BOXTM-110L

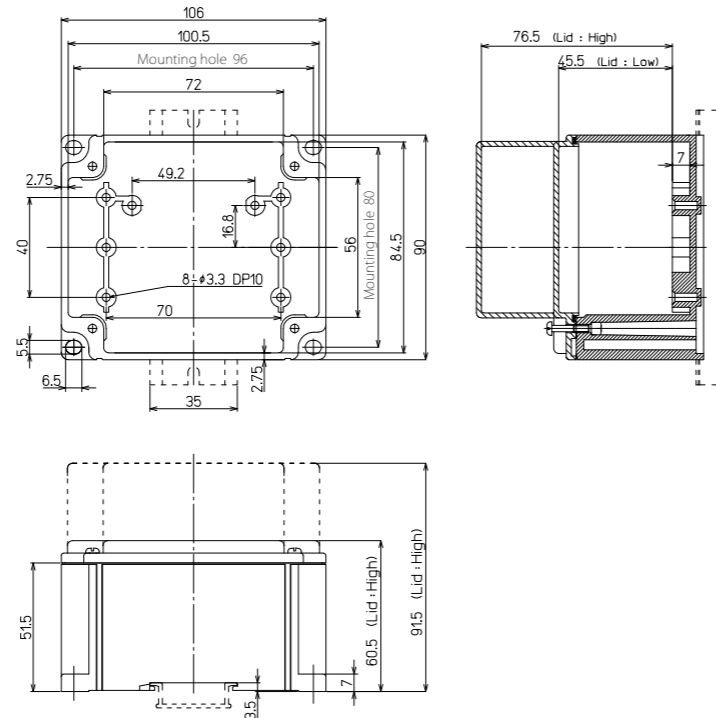
IP67

Lid height: Low type ▶



Weight: 182g  
Sales lot: 1pc

■ Dimension



# BOXTM-110H

Lid height: High type ▶



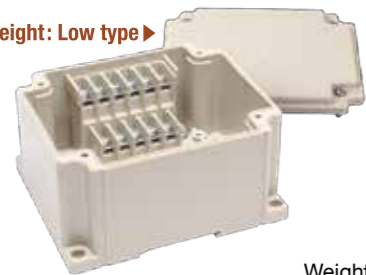
Weight: 208g  
Sales lot: 1pc

# BOXTM-111L

IP67

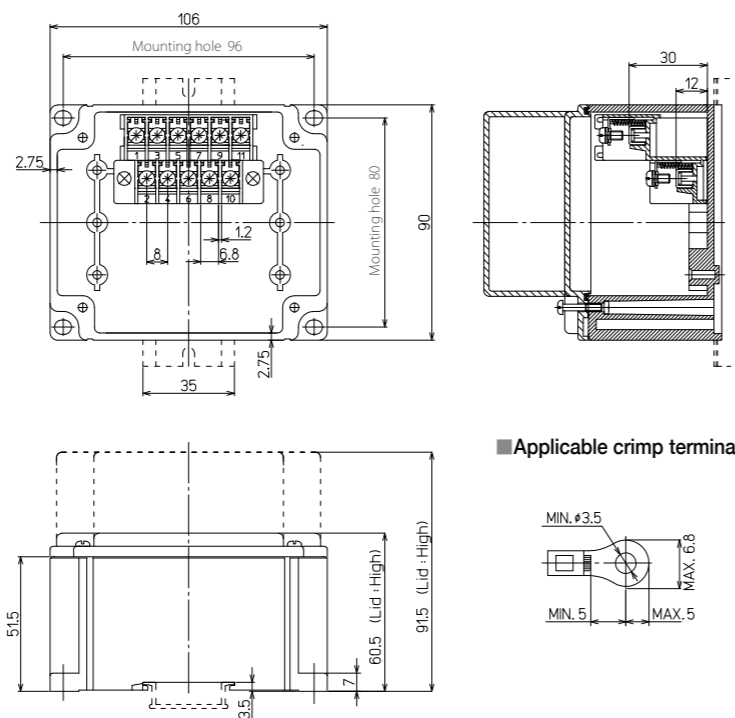
600V / 15A / 2mm<sup>2</sup> [Screw size M3.5] / 11poles

Lid height: Low type ▶

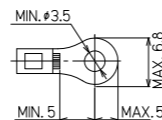


Weight: 229g  
Sales lot: 1pc

■ Dimension



■ Applicable crimp terminal



■ Applicable Short bar  
BB8A-2, 4, 6 (see P.36)

# BOXTM-111H

Lid height: High type ▶



Weight: 256g  
Sales lot: 1pc

# BOXTM-220L

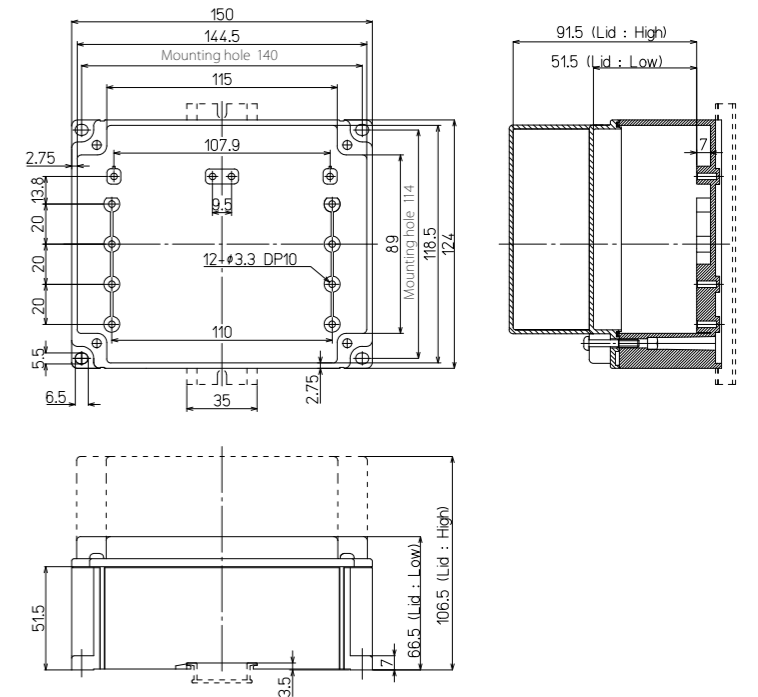
IP67

Lid height: Low type ▶



Weight: 309g  
Sales lot: 1pc

■ Dimension



# BOXTM-220H

Lid height: High type ▶



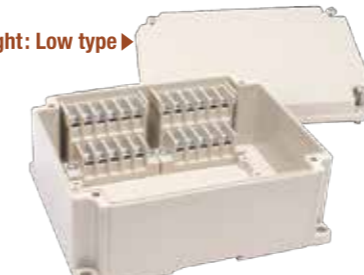
Weight: 382g  
Sales lot: 1pc

# BOXTM-221L

IP67

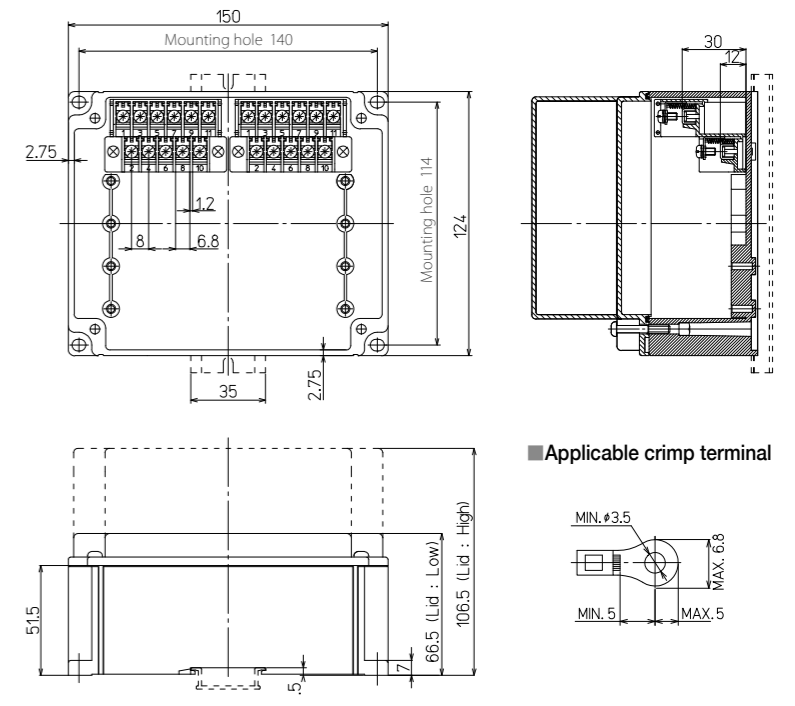
600V / 15A / 2mm<sup>2</sup> [Screw size M3.5] / 22poles

Lid height: Low type ▶

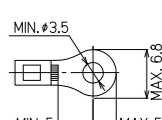


Weight: 401g  
Sales lot: 1pc

■ Dimension



■ Applicable crimp terminal



■ Applicable Short bar  
BB8A-2, 4, 6 (see P.36)

# BOXTM-221H

Lid height: High type ▶



Weight: 475g  
Sales lot: 1pc

