

TUGI TOYOGIKEN CO.,LTD.

IP67 **BOXTR** Innovative Feed-through Panel Wiring



Closing the box...

IP67 Dust proof
Water proof

+

electrical contacts **Connecting**

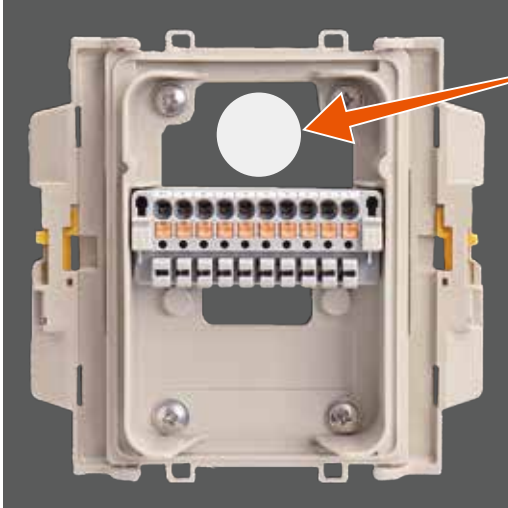
Easy Setting



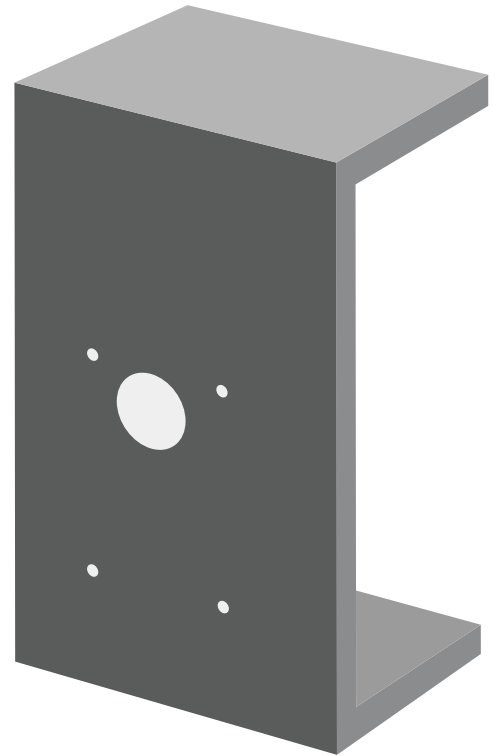
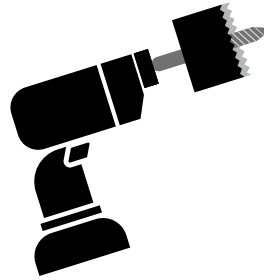
Simply Easy

No complex cutting

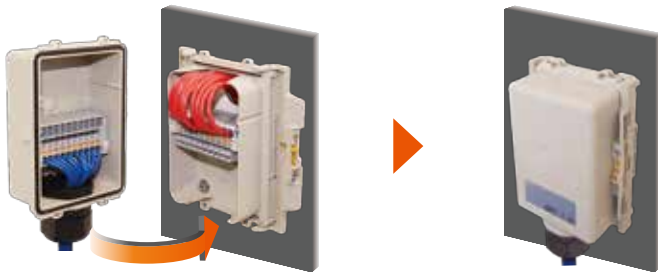
Just one hole for the wire to pass through and four holes for fixation are required for the panel!



Simply drill a hole for cables!

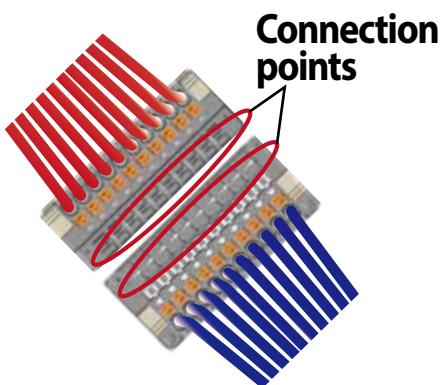


Connection Completed

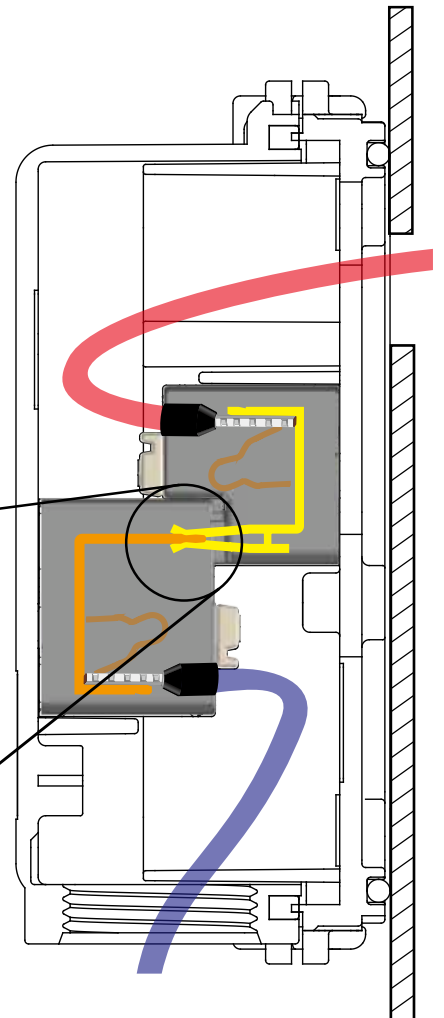
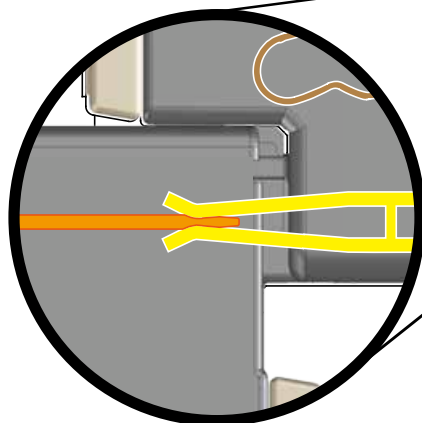


The panel side and the cover side are electrically connected as if harness cables.

Closing the box = Connection completed



Connection points



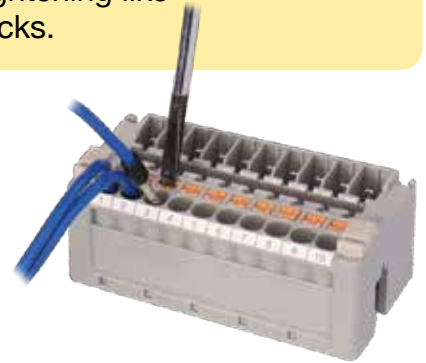
Spring Lock Type



Space saving and efficient!

Spring-lock terminal blocks that allow wiring from the top make wiring easy even in tight work spaces.

They are also vibration-resistant and do not require retightening like screw terminal blocks.



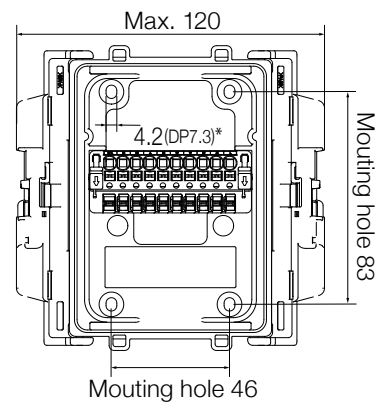
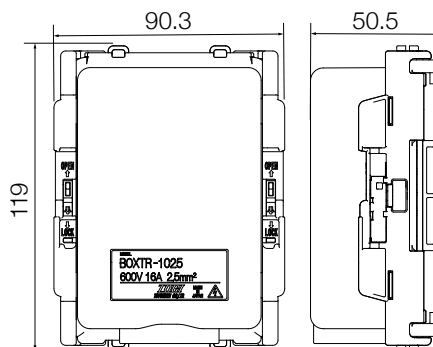
To release a conductor or connect a stranded wire, use the tool and press the orange button.

600V / 16A / 10poles
BOXTR-1025



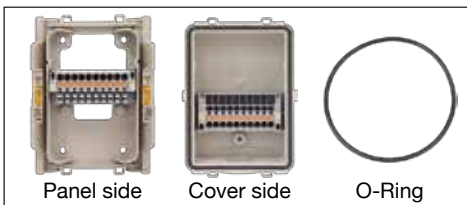
Weight : 253g
Sales lot : 1pc

Dimension



* Depth 7.3 is the height from the bottom of the box to the screw seating surface

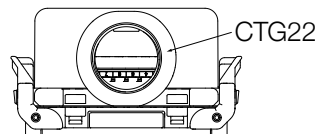
Set contents



Panel side

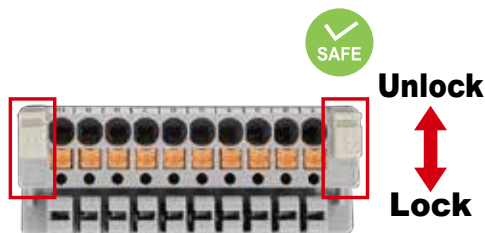
Cover side

O-Ring



Terminal block is removable

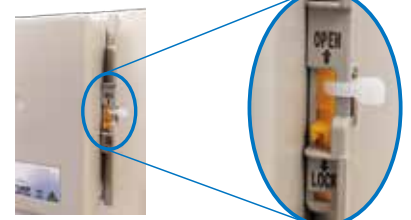
- Easy to maintain and replace.



To unlock, press and slide the button.

◆ TGB-80 [Cable tie]

Weight : 0.2g
Sales lot : 100pcs

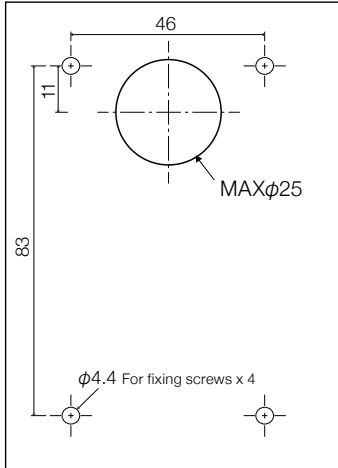


- Cable ties can be looped through the holes in the levers for more secure fixation.

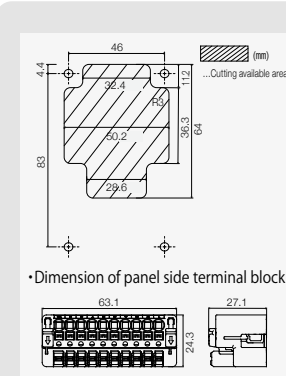


Mounting

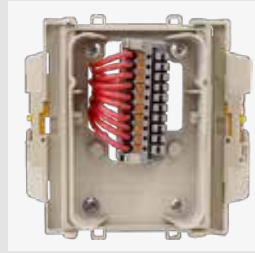
1 Make holes on Panel



Rectangular cutting



Can be put in and out with still wiring

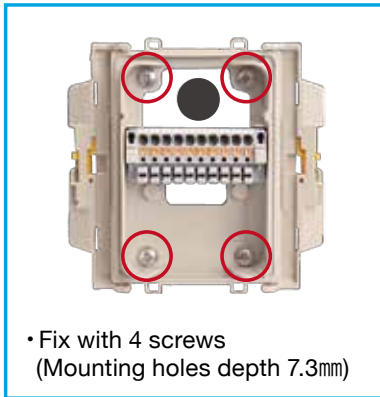


Wiring can be done before or after the cables go through the hole

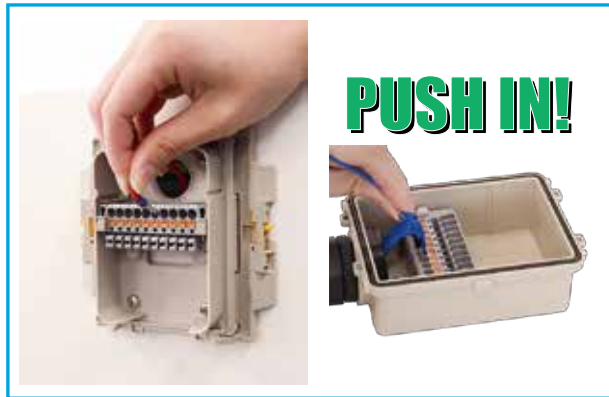
2 Set O-Ring



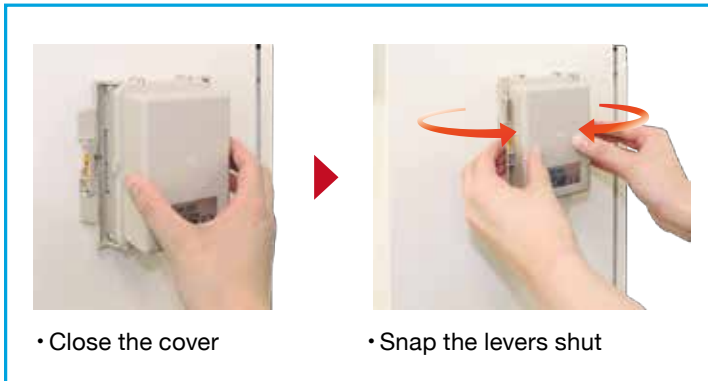
3 Panel side setting



4 Wiring



5 Cover side setting



6 Lock the levers



Demounting



• Unlock the lever by tool

• Put the lever backwards

• Loose

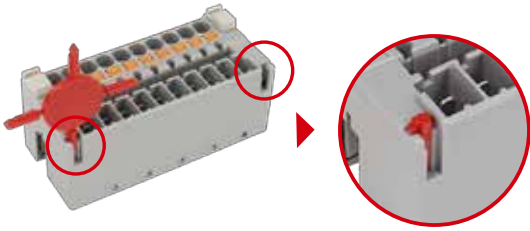
◆ CDP1R [Coding pin]



- Protection against accidental mistake ensures process reliability.

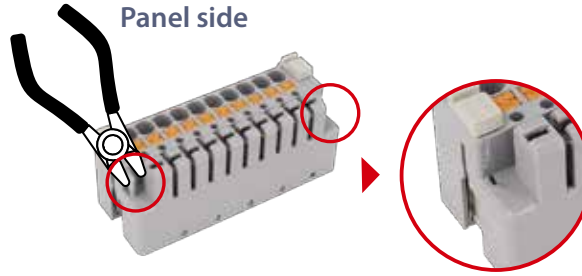
- With two coding points on each terminal block, four combinations are possible.

Cover side



Insert coding pin into the slots and cut it out.

Panel side



Cut coding fingers using a suitable tool.



Weight : 0.6g
Sales lot : 5pcs

Accessories

【Panel side terminal block】

◆ VTXR-2.5(F)-10



Weight : 40g
Sales lot : 1pc

【Cover side terminal block】

◆ VTXR-2.5(M)-10



Weight : 42g
Sales lot : 1pc

【Conversion adaptor】

◆ BTM-1622 CTG22 to CTG16



Weight : 8.7g
Sales lot : 10pcs

【Screwdriver(-)】

◆ VT5-1

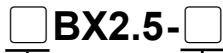
For release button on the terminal blocks



Weight : 43g
Sales lot : 1pc
Tip size : 0.6mmx3.5mm
DIN5264 compliant

◆ Applicable Short bar For cover side terminal block “VTXR-2.5(M)-10”

800V / 24A (At pole-skipping: 600V)



No. of poles
2, 3, 4, 5, 10

Color
B : Black R : Red
G : Gray BL : Blue



◆ Applicable Ferrule

Part No.	Electric wire cross section mm ² () JIS	AWG	Color	clr. code	l ₁	l ₂	d ₁	S ₁	d ₂	d ₃	S ₂
TA0.25-12BU	0.25	/ 26-24	Blue	W	16	12	0.8	0.15	1.9		0.3
TA0.34-12TQ	0.34	/ 24-22	Turquoise	D/W	16	12	0.8	0.15	1.9		0.3
•TA0.5-10WH	0.5 (0.5)	/ 20	White	D	16	10	1.1	0.15	2.4		0.3
TA0.5-10OG	0.5 (0.5)	/ 20	Orange	W	16	10	1.1	0.15	2.4		0.3
TA0.5-10WH-GB	0.5 (0.5)	/ 20	White	D	16	10	1.1	0.15	2.9		0.3
•TA0.75-10GY	0.75 (0.75)	/ 20-18	Grey	D	16	10	1.3	0.15	2.7		0.3
TA0.75-10WH	0.75 (0.75)	/ 20-18	White	W	16	10	1.3	0.15	2.7		0.3
TA0.75-10GY-GB	0.75 (0.75)	/ 20-18	Grey	D	16	10	1.3	0.15	3.3		0.3
•TA1-10RD	1	/ 18	Red	D	16	10	1.5	0.15	2.9		0.3
TA1-10YE	1	/ 18	Yellow	W	16	10	1.5	0.15	2.9		0.3
TA1-10RD-GB	1	/ 18	Red	D	16	10	1.5	0.15	3.3		0.3
•TA1.5-10BK	1.5 (1.25)	/ 16	Black	D	16.5	10	1.8	0.15	3.3		0.3
TA1.5-10RD	1.5 (1.25)	/ 16	Red	W	16.5	10	1.8	0.15	3.3		0.3
TA1.5-10BK-GB	1.5 (1.25)	/ 16	Black	D	16	10	1.8	0.15	3.7		0.3
TA2.5-10BU	2.5 (2)	/ 14	Blue	D/W	17	10	2.3	0.15	4.1		0.3
TAW0.5-10WH	2x0.5 (2x0.5)	/ 2x20	White	D	17	10	1.5	0.15	4.6	2.4	0.3

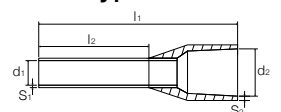
•DIN46228-4 Compliant

Color code : D=DIN46228-4, W=Weidmüller



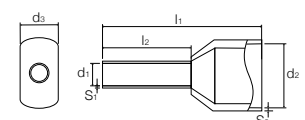
Sales Lot (pcs/pkg.) : 100pcs

◆ TA-Type



◆ TAW-Type

(To crimp two equally sized wires in one ferrule)



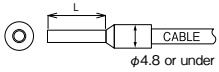
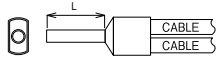
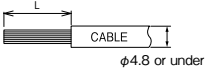
Specifications

Rated voltage	AC,DC 600V
Rated current	16A
Insulation resistance	200MΩ or more (DC500V)
Withstand voltage	AC1890V/min
Applicable wire	0.14mm ² ~2.5mm ²
Protection rating	IP67
Ambient temperature	-25°C~+60°C (No freezing and condensations)
Relative humidity	45%~85%
Insertion/withdrawal cycles	200

Materials

BOX main body	PBT (UL94V-0)
Gasket	Formed urethane
Lever	Nylon66 (UL94V-0)
Lock for lever	POM
O-Ring	NBR
Terminal block main body	Nylon66 (UL94V-0)
Conductive plate (Panel side)	Copper alloy
Conductive plate (Cover side)	Copper
Button	Nylon66 (UL94V-0)
Lock for terminal block	modified PPE (UL94V-0)

Connection

Ferrule	Ferrule(TWIN)	Stranded
0.25mm ² ~ 0.34mm ² ... L=12 0.5mm ² ~ 2.5mm ² ... L=10	0.5mm ² L=10mm	0.14mm ² ~ 0.25mm ² L=10~12mm
		

Chemical resistance

Water	◎	Ethylene glycol	◎
Mineral oil	◎	Ester	△
Heating oil	○	Halogenated hydrocarbon	△
Gasoline	△	Phenol	×
Anti-corrosion oil	◎	Cresol	×
Vegetal oil	◎	Liquid ammonia	×
Acetone	△	Oxygenated water	○
Benzene	△	Weak acid	◎
Carbon tetrachloride	△	Strong acid	△
Alcohol	◎	Weak alkali	△
Acetic Ether	△	Strong alkali	×

◎...High resistance, and non-degrade

○...little change the weight, and usable according to condition

△...change the weight and dimension, but usable for a short time

×...It is difficult to use because of swelling and melting

⚠ CAUTION for safety

- After closing the box, please be sure to use it with the lever in the "lock" position.
- Contact resistance at terminal block contacts may increase due to the formation of oxide film.
- Please be careful when using less than 10mA.
- Before closing the box, make sure that there is no dust or other foreign material on the gasket.
- The box will not be closed completely and electric shock may be caused due to water leakage.
- Do not forcibly close the box when coding pin is inserted. The terminal block may be damaged.
- After mounting the terminal block, be sure that the terminal block is locked.
- Please set the O-ring into the bottom of the box's main body before attaching it to the panel.
- Depending on the surface condition of the panel to be attached, water resistance may not be maintained.

*Product specifications, appearance and color may change without notice.

TOGI TOYOGIKEN CO.,LTD.



4-8-7 Gongencho, Osachi, Okaya, Nagano, Japan 394-0081

<https://www.togi.co.jp/en/>



info-en@togi.co.jp