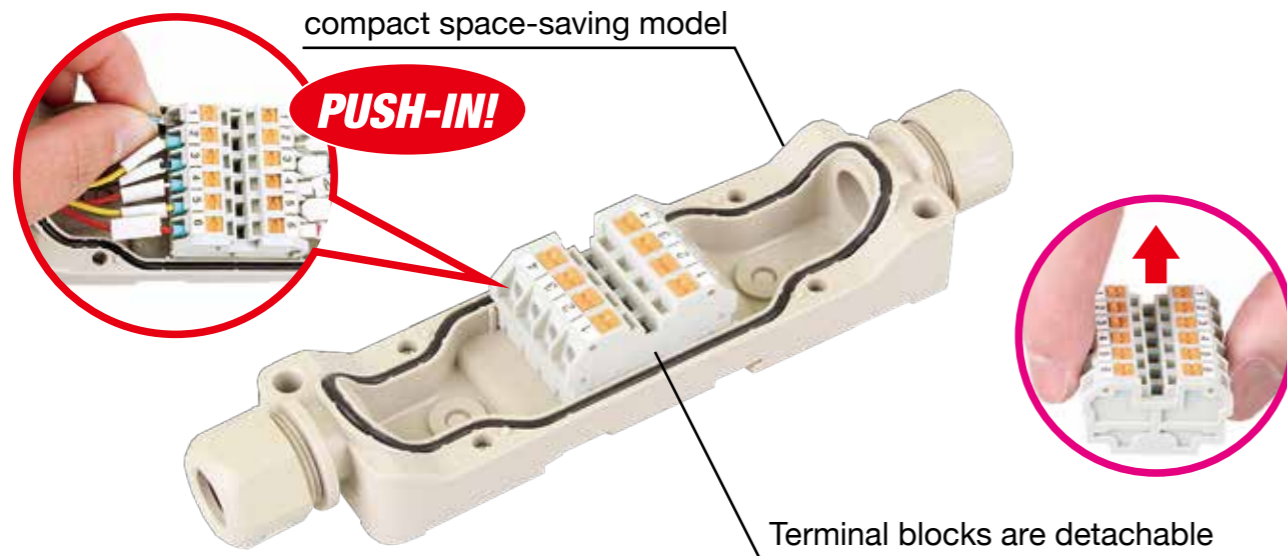


# BOXTS Series

## Waterproof BOX TERMINAL



### Specifications

Rated voltage	AC,DC 250V	
Rated current	15A	
Insulation resistance	100MΩ or more (DC500V)	
Withstand voltage	AC 2000V/min	
Applicable wire	Ferrule	0.25mm <sup>2</sup> ~1.5mm <sup>2</sup> , AWG24~AWG16
	Solid	φ0.5~φ1.6
	Stranded	0.08mm <sup>2</sup> ~1.5mm <sup>2</sup> / MAX, AWG28~AWG16
Tightening torque	Terminal Screw	-
	Lid	0.5~0.65N·m
Protection Rating	IP67	
Ambient temperature	-25°C~+60°C (No freezing and condensations)	
Relative humidity	45%~85%	

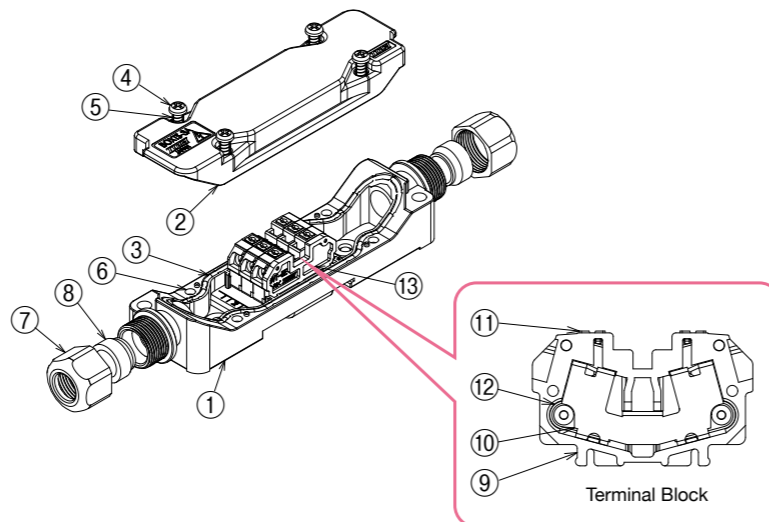
### Chemical resistance

Liquid solution		Liquid solution	
Water	◎	Ethylene glycol	○
Mineral oil	◎	Ester	△
Heating oil	○	Halogenated hydrocarbon	△
Gasoline	△	Phenol	×
Anti-corrosion oil	◎	Cresol	×
Vegetal oil	◎	Liquid ammonia	×
Acetone	△	Oxygenated water	△
Benzene	△	Weak acid	○
Carbon tetrachloride	△	Strong acid	×
Alcohol	○	Weak alkali	△
Acetic Ether	△	Strong alkali	×

◎...High resistance, and non-degrade  
 ○...little change the weight, and usable according to condition  
 △...change the weight and dimension, but usable for a short time  
 ×...It is difficult to use because of swelling and melting

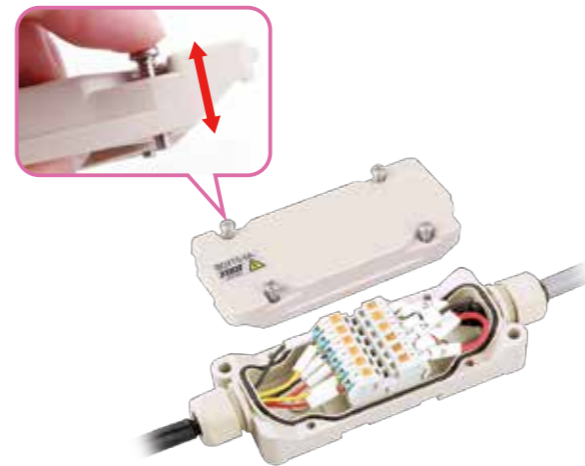
### Materials

① BOX main body	PBT (UL94V-0)
② Lid	PBT (UL94V-0)
③ Gasket	NBR
④ Lid fixing screw	SUS
⑤ Coil spring	SUS
⑥ Nut	Copper alloy
⑦ Caps	Nylon6 (UL94V-2)
⑧ Sleeves	NBR
⑨ Terminal block main body	Nylon66 (UL94V-0)
⑩ Conductive plate	Copper
⑪ Button	Nylon66 (UL94V-0)
⑫ Springs	SUS
⑬ End plates	Nylon66 (UL94V-0)
⑭ Sticker label	Synthetic paper

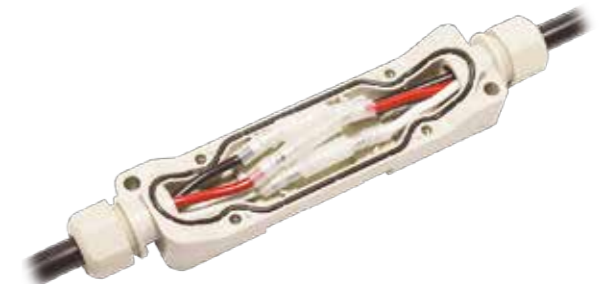


## BOXTS Series

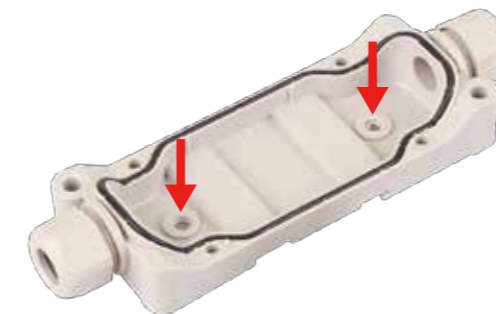
Up-screw design to prevent screws from dropping and lost.



Example of using empty BOX.



### Mounting on Aluminum Frame

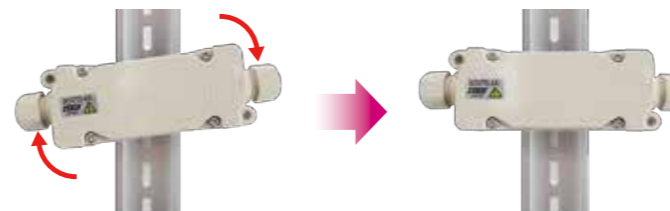


Remove the knock out with tools (shaft φ under 4mm) on a flat table.



Use O-ring to keep BOXTS waterproof after removing knock out.

### Mounting on IEC/DIN Rail



Can be mounted on IEC35mm rail/DIN rail. You need to purchase stoppers separately to fix BOX on a rail.

#### Applicable stoppers



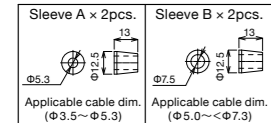
Example of contiguous mounting



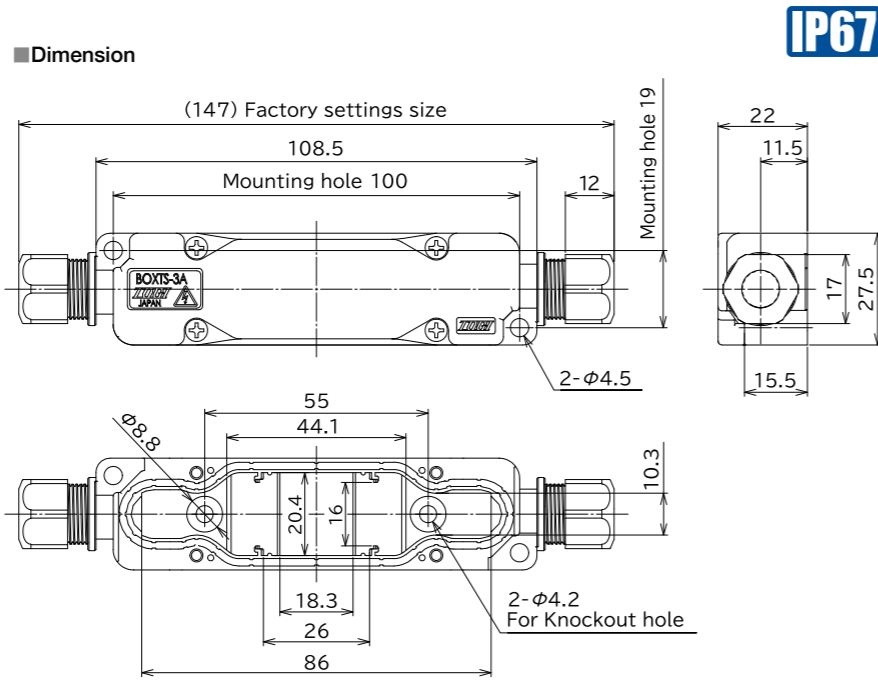
### BOXTS-N

Weight : 53g Sales lot : 1pc

■ Bundled sleeves



\*Sleeve B : Pre-installed at the factory

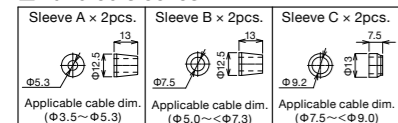


IP67

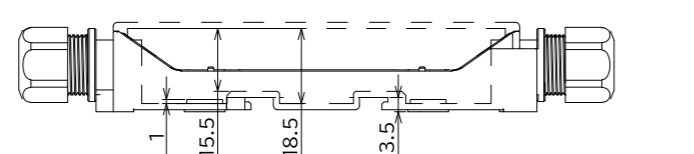
### BOXTS-NA

Weight : 51g Sales lot : 1pc

■ Bundled sleeves



\*Sleeve C : Pre-installed at the factory



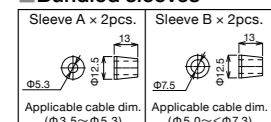
250V / 15A / 3poles



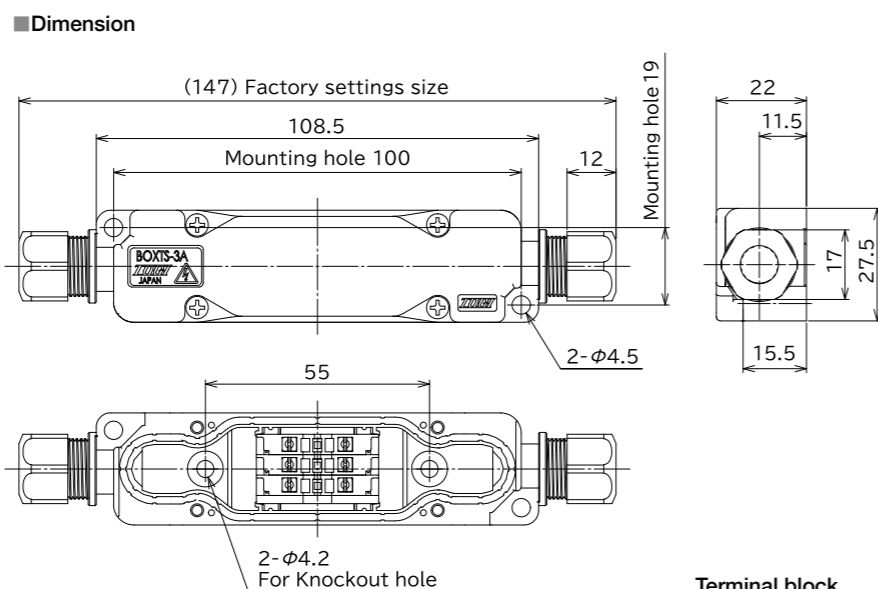
### BOXTS-3

Weight : 61g Sales lot : 1pc

■ Bundled sleeves



\*Sleeve B : Pre-installed at the factory

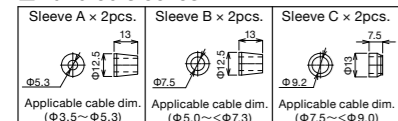


IP67

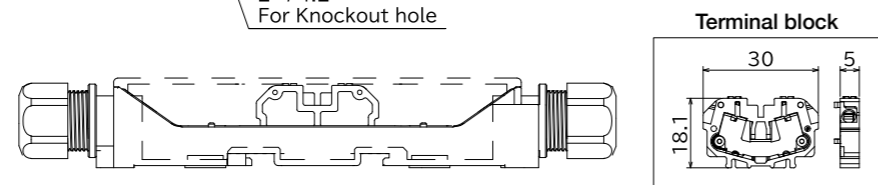
### BOXTS-3A

Weight : 59g Sales lot : 1pc

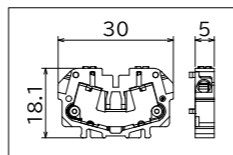
■ Bundled sleeves



\*Sleeve C : Pre-installed at the factory



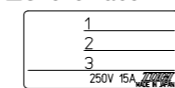
Terminal block



■ Applicable ferrule and wire for terminal block

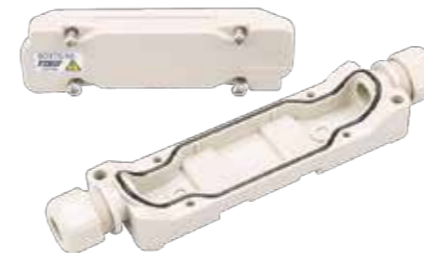
Ferrule	Stranded	Solid
0.25mm~1.5mm / AWG24~AWG16 DIN46228-4	0.08mm~1.5mm / MAX AWG28~AWG16	φ0.5~φ1.6

■ Sticker label



■ Applicable Short bar

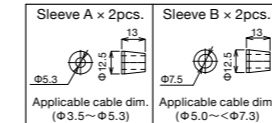
BBVT5-2, 3 (see P.11)



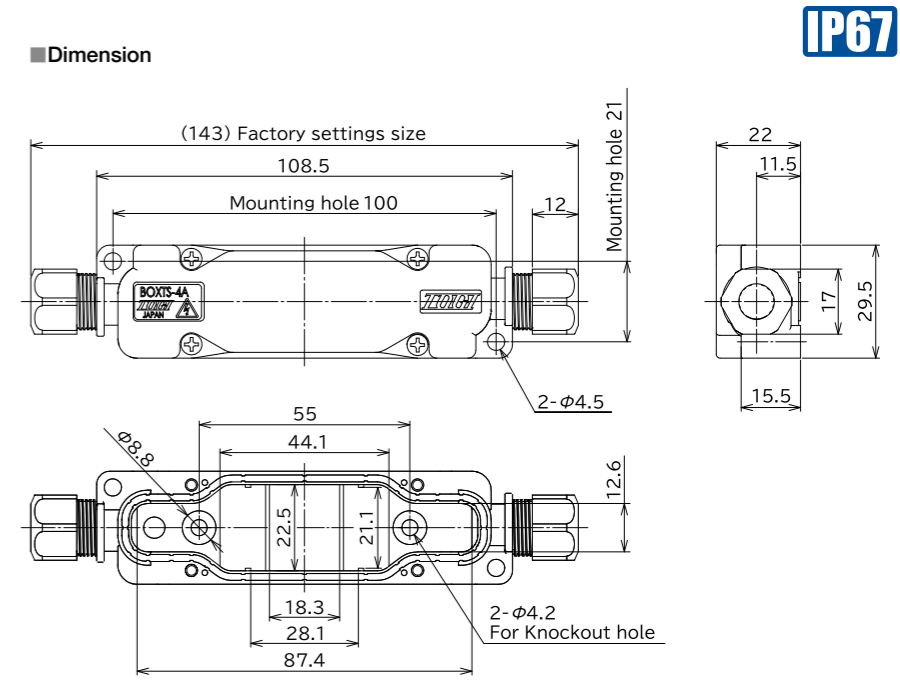
### BOXTS-N4

Weight : 53g Sales lot : 1pc

■ Bundled sleeves



\*Sleeve B : Pre-installed at the factory

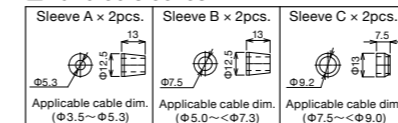


IP67

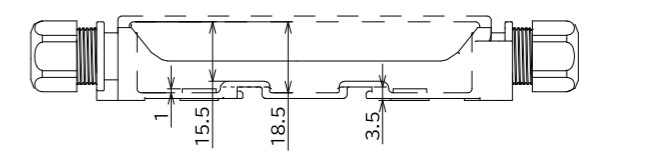
### BOXTS-N4A

Weight : 51g Sales lot : 1pc

■ Bundled sleeves



\*Sleeve C : Pre-installed at the factory



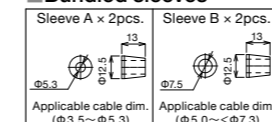
250V / 15A / 4poles



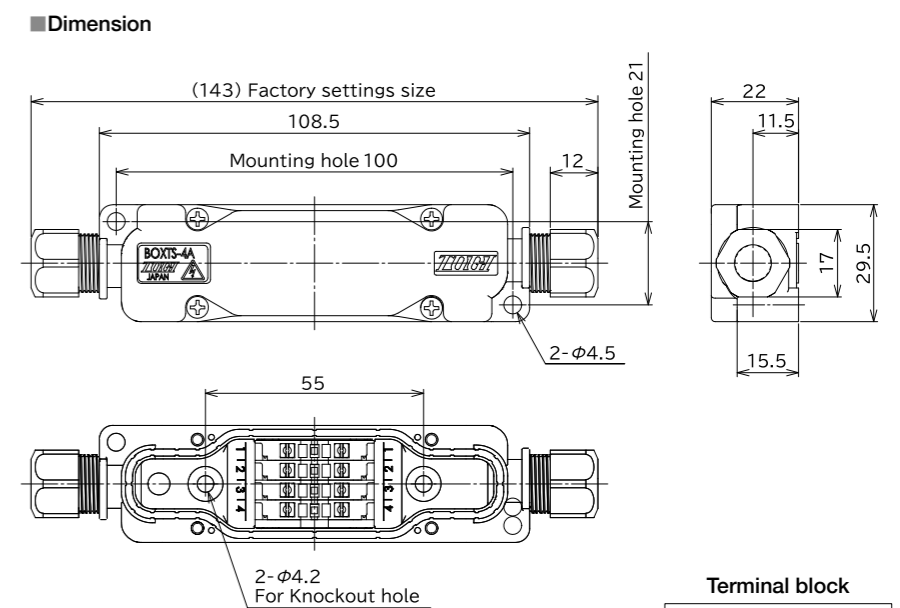
### BOXTS-4

Weight : 64g Sales lot : 1pc

■ Bundled sleeves



\*Sleeve B : Pre-installed at the factory

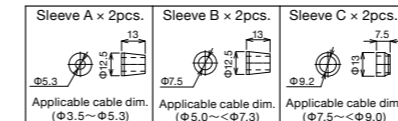


IP67

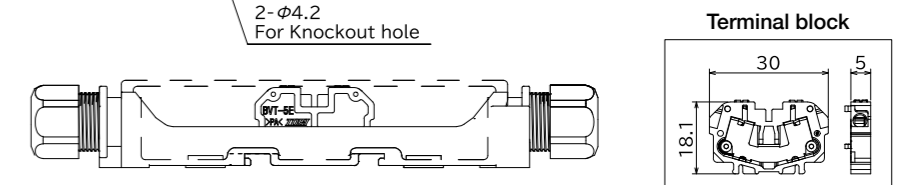
### BOXTS-4A

Weight : 62g Sales lot : 1pc

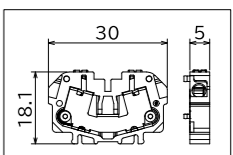
■ Bundled sleeves



\*Sleeve C : Pre-installed at the factory



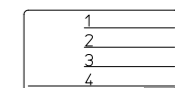
Terminal block



■ Applicable ferrule and wire for terminal block

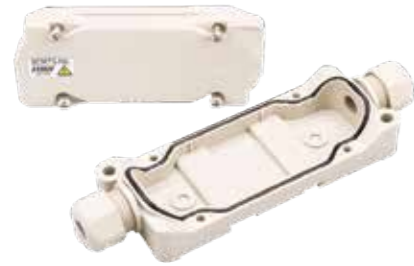
Ferrule	Stranded	Solid
0.25mm~1.5mm / AWG24~AWG16 DIN46228-4	0.08mm~1.5mm / MAX AWG28~AWG16	φ0.5~φ1.6

■ Sticker label



■ Applicable Short bar

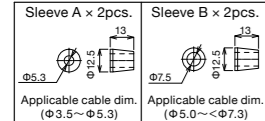
BBVT5-2, 3, 4 (see P.11)



### BOXTS-N6

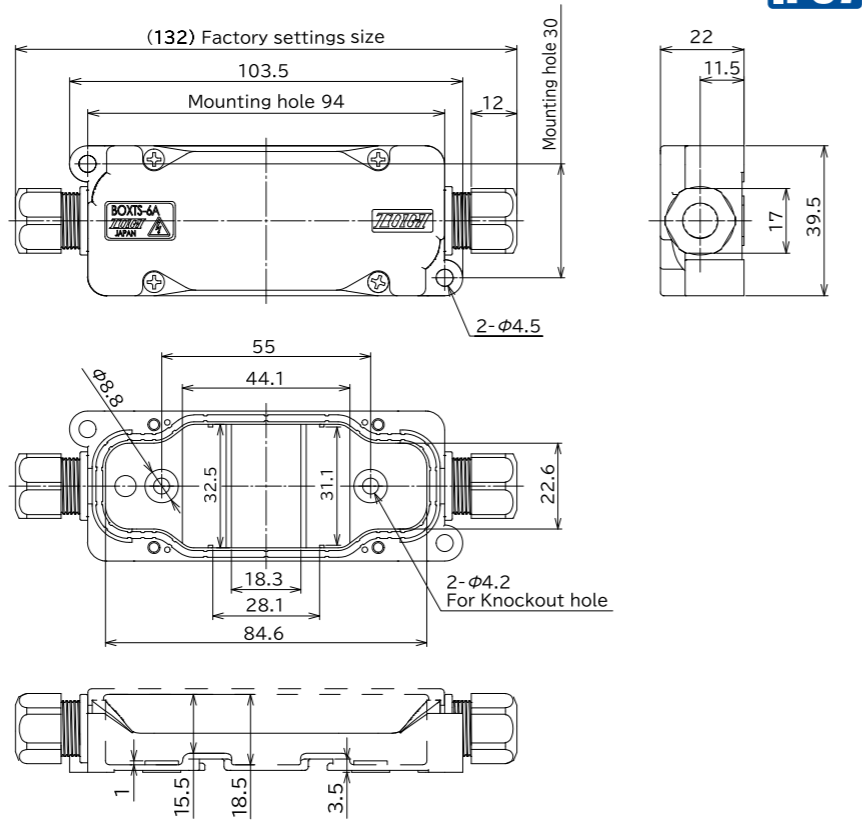
Weight : 58g Sales lot : 1pc

■ Bundled sleeves



\*Sleeve B : Pre-installed at the factory

■ Dimension

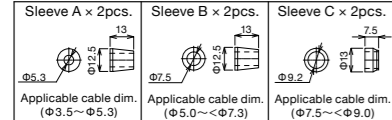


IP67

### BOXTS-N6A

Weight : 57g Sales lot : 1pc

■ Bundled sleeves



\*Sleeve C : Pre-installed at the factory

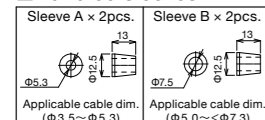
### 250V / 15A / 6poles



### BOXTS-6

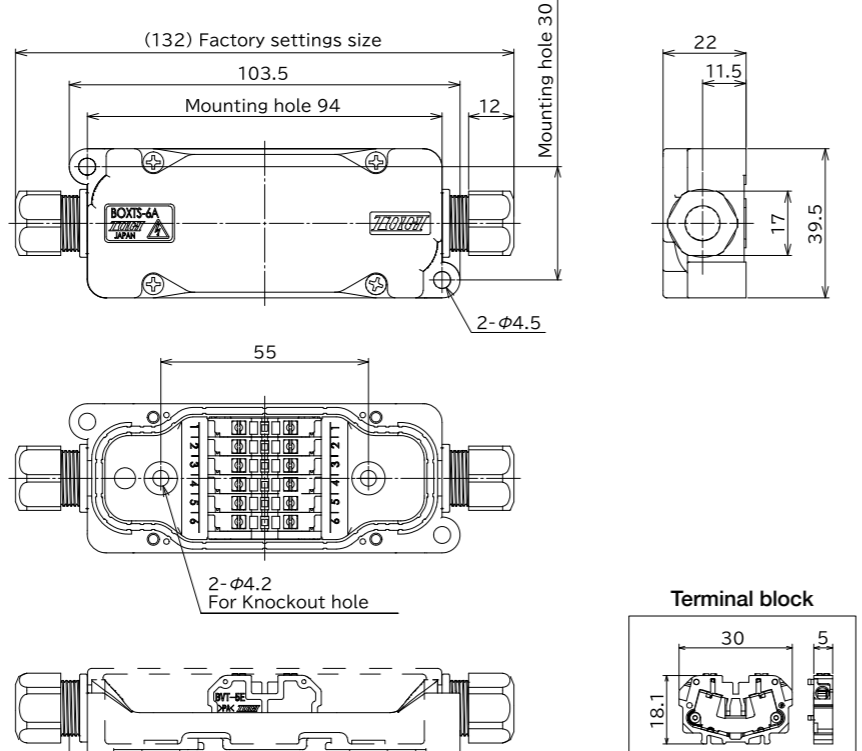
Weight : 74g Sales lot : 1pc

■ Bundled sleeves



\*Sleeve B : Pre-installed at the factory

■ Dimension

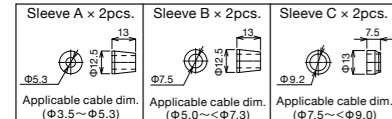


IP67

### BOXTS-6A

Weight : 73g Sales lot : 1pc

■ Bundled sleeves



\*Sleeve C : Pre-installed at the factory

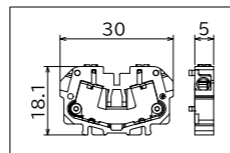
■ Applicable Short bar

BBVT5-2, 3, 4, 6 (see P.11)

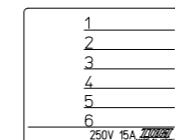
■ Applicable ferrule and wire for terminal block

Ferrule	Stranded	Solid
0.25mm~1.5mm / AWG24~AWG16 DIN46228-4	0.08mm~1.5mm / MAX AWG28~AWG16	φ0.5~φ1.6

Terminal block



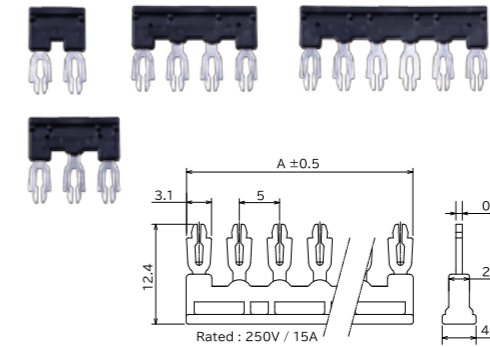
■ Sticker label



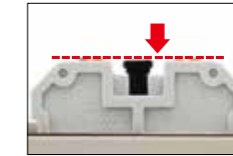
## Accessories

### Short bar

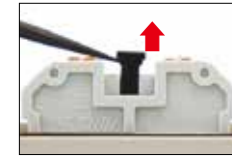
- BBVT5-2
- BBVT5-3
- BBVT5-4
- BBVT5-6



■ Mounting



■ Demounting

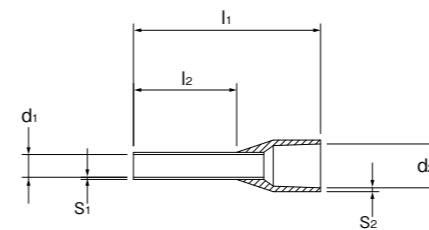


No. of poles	Part No.	A	Weight	Sales lot
2	BBVT5-2	8.2mm	0.5g	10pcs
3	BBVT5-3	13.2mm	0.8g	10pcs
4	BBVT5-4	18.2mm	1.1g	10pcs
6	BBVT5-6	28.2mm	1.6g	10pcs

Material : Copper alloy (Ni plating) , PVC

### Ferrule

- DIN-compliant Ferrules with insulating sleeves.



l1= Total length  
l2= Conductive part length  
d1= Inner diameter of conductive part  
S1= Wall thickness of conductive part  
d2= Inner diameter of insulating sleeve  
S2= Wall thickness of insulating sleeve

Material	E-CU
Surface treatment	Tin plating
Insulating sleeve	PP
Heatproof temperature	105°C

	Part No.	Electric wire cross section		Color range of insulating sleeve		Sales Lot (pcs/pkg.)
		mm	mm / AWG	Color	Color code	
	TA0.34-8TQ	0.34	/ 24-22	TQ	D/W	100
	TA0.34-10TQ	0.34	/ 24-22	TQ	D/W	100
	TA0.5-8WH	0.5	(0.5) / 20	WH	D	100
	TA0.5-10WH	0.5	(0.5) / 20	WH	D	100
	TA0.75-8GY	0.75	(0.75) / 20-18	GY	D	100
	TA0.75-10GY	0.75	(0.75) / 20-18	GY	D	100
	TA1-8RD	1	/ 18	RD	D	100
	TA1-10RD	1	/ 18	RD	D	100
	TA1.5-8BK	1.5	(1.25) / 16	BK	D	100
	TA1.5-10BK	1.5	(1.25) / 16	BK	D	100
	TAW0.5-10WH	2×0.5	(2×0.5) / 2×20	WH	D	100
	TAW0.75-10GY	2×0.75	(2×0.75) / 2×20 2×18	GY	D	100

GY	BK	TQ	RD	WH
Gray	Black	Turquoise	Red	White

Color code: D=DIN46228-4  
W=Weidmüller standard

※ ( ) =JIS standard cross section area

### Crimping Pliers for Ferrules

### TA-540

Weight : 470g  
Sales lot : 1pc



Part No.	Applicable wire range	Crimped figure
TA-540	0.14mm~16mm AWG26~AWG5	



Set the knob position to "10" when crimping wire of 0.14mm (AWG26) -10mm (AWG6).  
Set the knob position to "16" when crimping wire of 16mm (AWG5).