

Disconnect Terminal Block



DTS-30

M4/5.5mm², 30A



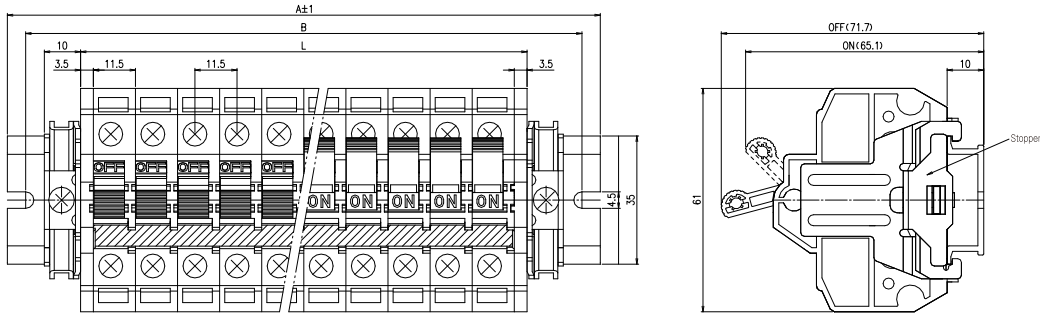
DTS-30 improves efficiency of maintenance and circuit switching work.

Up-screw type	TOGI original up-screw terminal block suits both round-type and y-type solderless terminals. Its structure prevents a loss of screws by dropping and the short-circuit accidents.
Finger-protect structure	Finger-protect structure prevents electric shock accidents.
High-voltage type	<ul style="list-style-type: none">· Rated insulation voltage: 1,000V AC/DC· Rated impulse withstand voltage: 8KV· Withstand voltage: 3,500V AC / min.
Environmental durability	<ul style="list-style-type: none">· Flammability rating: UL94-V0· Comparative tracking Index (CTI): 175-250V (UL category=3)· Relative Thermal Index (RTI): 120°C· Hot Wire Ignition (HWI): 15-19sec
AgNi contact	AgNi contact point has excellent Arc resistance and welding resistance.

Turn the main power off before switch ON/OFF the circuits. No performance guaranteed if switch ON/OFF the circuit while the main power is turned on.

TOYOGIKEN CO.,LTD.

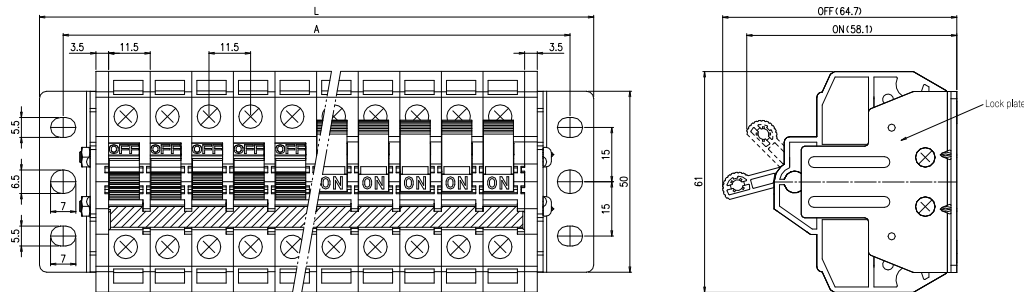
DTSL-30-□P (for DIN35mm rail) ※assembled at the factory and shipped



Dimensions (mm)

No. of poles (P)	1	2	3	4	5	6	7	8	9	10	11	12	13	14	15	
Total length of terminal blocks (L)	18.5	30.0	41.5	53.0	64.5	76.0	87.5	99.0	110.5	122.0	133.5	145.0	156.5	168.0	179.5	
Rail mounting hole pitch (A)	50	70		90		110		130		150		170		190		210
Mounting rail dimension (A)	60	80		100		120		140		160		180		200		220
No. of poles (P)	16	17	18	19	20	21	22	23	24	25	26	27	28	29	30	
Total length of terminal blocks (L)	191.0	202.5	214.0	225.5	237.0	248.5	260.0	271.5	283.0	294.5	306.0	317.5	329.0	340.5	352.0	
Rail mounting hole pitch (A)	230		250	270		290		310		330		350		370		390
Mounting rail dimension (A)	240		260	280		300		320		340		360		380		400

DTSK-30-□P (for direct mounting) ※assembled at the factory and shipped



Dimensions (mm)

No. of poles (P)	1	2	3	4	5	6	7	8	9	10	11	12	13	14	15
Total length of terminal blocks (L)	—	61.2	72.7	84.2	95.7	107.2	118.7	130.2	141.7	153.2	164.7	176.2	187.7	199.2	210.7
Mounting hole pitch (A)	—	48.1	59.6	71.1	82.6	94.1	105.6	117.1	128.6	140.1	151.6	163.1	174.6	186.1	197.6
No. of poles (P)	16	17	18	19	20										
Total length of terminal blocks (L)	222.2	233.7	245.2	256.7	268.2										
Mounting hole pitch (A)	209.1	220.6	232.1	243.6	255.1										

Rating

Rated insulation voltage	Applicable wire/Rated current	Terminal screw	Tightening torque
1,000V AC/DC	5.5mm ² / 30A	M4×7.5L	1.2~1.8 N·m

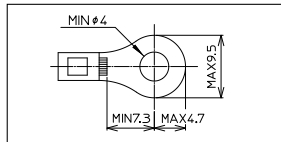
Specifications

Withstand voltage	3,500V AC / min.
Insulation resistance	200MΩ or more (at 500V DC mega)
Ambient temperature	-40°C~+90°C (No freezing or condensations)
Relative humidity	45~85%
Contact resistance	5mΩ or less
Rated impulse withstand voltage	8kV
Compliant standards	JIS C 8201-7-1 / IEC60947-7-1 NECA C 2811

Materials

Body	PBT (Black)	UL94V-0
Lever	PC (Yellow)	
Push rod	PBT (Black)	UL94V-0
Conductive plate	Copper alloy (Ni plating)	
Moving contact	Copper alloy (Ni plating)	
Terminal screw	Steel (Zn+trivalent chromate processing)	
Up-washer	Steel (Zn+trivalent chromate processing)	
Spring for moving contact	Spring Steel (Zn+trivalent chromate processing)	
Spring for push rod	Spring Steel (Zn+trivalent chromate processing)	
Spring for Up-washer	Spring Steel (Zn+trivalent chromate processing)	
End plate	PBT (Black)	UL94V-0
Name plate	PVC (White)	
Lock plate	Steel (Zn+trivalent chromate processing)	
Lever lock	POM	
Lever interlocking pin (2P)	PBT (Black)	UL94V-0
Lever interlocking pin (2P~6P)	SUS	

Applicable solderless terminal



Parts Name (weight / pc or sets)

Terminal block	End plate AB set	Name plate	Mounting rail	Stopper	Lock plate	Lever lock	Lever interlocking pin (2P)	Lever interlocking pin (2~6P)
DTS-30 (32g)	DTS-30L/A,B sets (15g)	AM-10	DAV-4	HDV-3 (25g)	DTS-K1 (25.5g)	DTS-30KS (0.5g)	DTS-302P (0.2g)	DTS-P4x10 (1g)
sales lot (30)	sales lot (10set)	sales lot (50) Dimension (0.5x10Wx1200L)	sales lot (100)	sales lot (50)	—	sales lot (10pcs/bag)	sales lot (10pcs/bag)	sales lot (10pcs/bag)